



RHEEM metro CONTINUOUS FLOW



GAS



6 STAR



PEOPLE



DELIVERY



HEAT EXCHANGER WARRANTY¹

Rheem Continuous Flow Builder Series guarantees you hot water that never runs out, with quality and performance to add value and peace of mind to your homes.

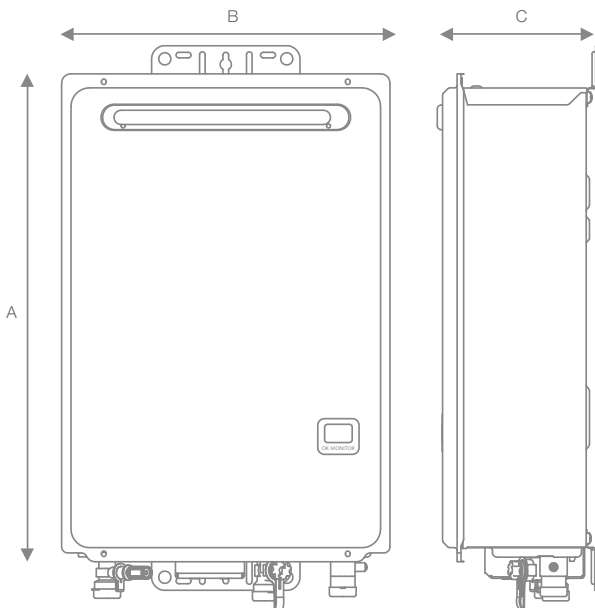
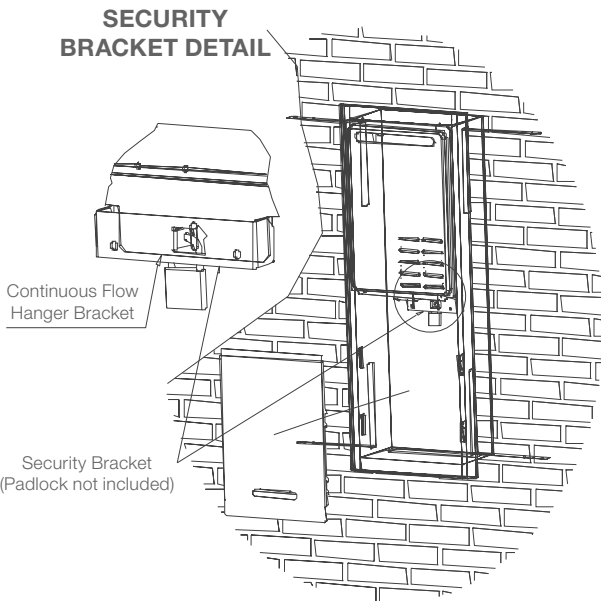
Both 60°C and 50°C models:

- 60°C hot water for kitchen and laundry – where 50 or 55°C is often not hot enough²
- 50°C models provide the added safety of a fully-tempered home at 50°C (without the cost of a tempering valve)²
- Remote Temperature Controller options for added convenience and safety
- Digital display for easy fault diagnosis and service
- 10 Year Heat Exchanger Warranty¹
- 50°C models available – adjustable to deliver 50°C at the nearest tap.
- Flamesafe[®] overheat protection – shuts down the heater before overheating can occur
- Rheem Q Factor – hot water every time, without fluctuation when multiple taps demand hot water
- Technical support via Rheem's National Service Network
- Wall Mount Security Bracket available – for added water heater security (refer to illustration overleaf)
- Natural Gas or Propane
- Frost protected down to -20°C

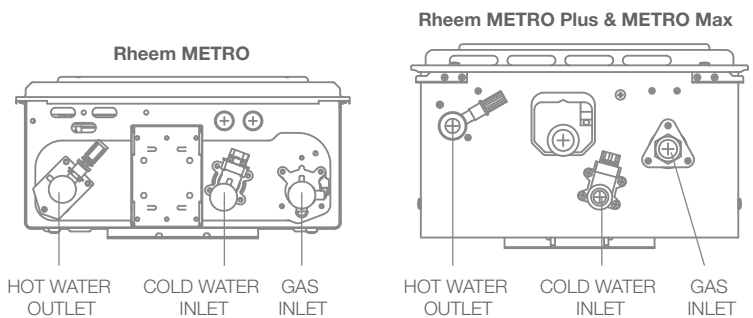




RHEEM metro CONTINUOUS FLOW



SPECIFICATION		Rheem metro	Rheem metro plus	Rheem metro max
Model Number		876E16 874E16	875E24 871E24	875E26 871E26
Pre-set Temperature	°C	50 60	50 60	50 60
Number of Bathrooms		1 – 1.5	2 – 2.5	2 – 3
Gas Type		Natural Gas/ Propane	Natural Gas/ Propane	Natural Gas/ Propane
Gas Energy Rating	Stars	6	6	6
Flow Rate @ 25°C Rise	L/min	16	24	26
Min. Operating Flow Rate	L/min	2.7	2.7	2.7
Nominal Gas Consumption	MJ/hr	126	188	199
Dimensions				
Height A	mm	520	565	565
Width B	mm	350	350	350
Depth C	mm	160	205	205
Depth – from wall to Hot Water Outlet	mm	51	127	127
Depth – from wall to Cold Water Inlet	mm	45	53	53
Depth – from wall to Gas Inlet	mm	43	103	103
Weight (empty)	kg	18	21	21
Max. Water Supply Pressure	kPa	1000	1000	1000
Min. Water Supply Pressure	kPa	140	140	140
Cold Water Connection		R ¾/20	R ¾/20	R ¾/20
Hot Water Connection		R ¾/20	R ¾/20	R ¾/20
Gas Connection		R ¾/20	R ¾/20	R ¾/20
Accessories				
Pipe Cover		299841	299848	299848
Recess Box		299842	299842	299842
Wall Mount Security Kit			299868	299868
Security Cage		299867	299867	299867



¹ Continuous Flow Warranty Conditions:
10 Years parts and 3 Years labour on Heat Exchanger, 3 Years parts & labour on other components, when installed in a domestic dwelling. For all other installations, the warranty period is 1 Year parts and labour on Heat Exchanger and other components. Conditions apply. See the Rheem warranty set out in the Owner's Guide & Installation Instructions or view at www.rheem.com.au/warranty.

² 60°C and higher temperature models and some applications require a tempering valve in accordance with AS 3500.4.

Information current as at 18/04/2013. Materials and data are subject to change without notice.

[®] Registered Trademark of Rheem Australia Pty Ltd.

[™] Trademark of Rheem Australia Pty Ltd.



Rheem Australia Pty Ltd.

1 Alan Street, Rydalmere, New South Wales 2116, Australia
PO Box 7508, Silverwater, New South Wales 2128, Australia.

